



THERMAL & REFRIGERATION ENGINEERING CO., LTD



PRESSURE VERSEL

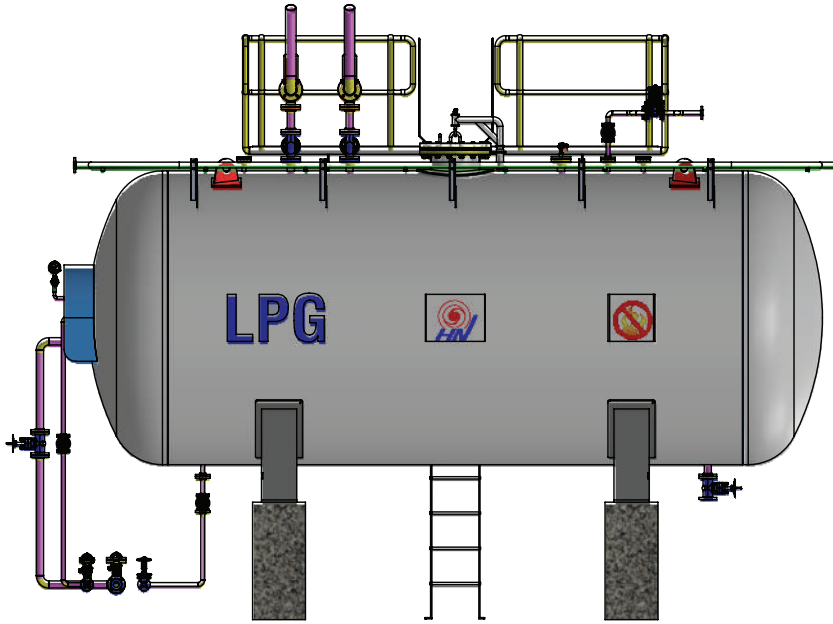
SH SERIES

Gas tanks are available in various volumes and capacities
Pressure max 17 Bar

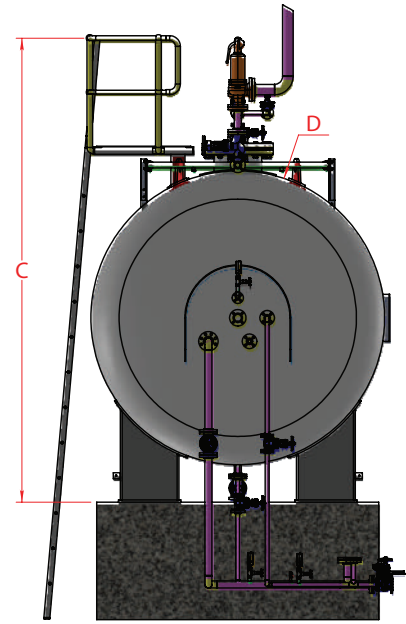
PRESSURE VERSEL
Efficiency, Reliability and Durability



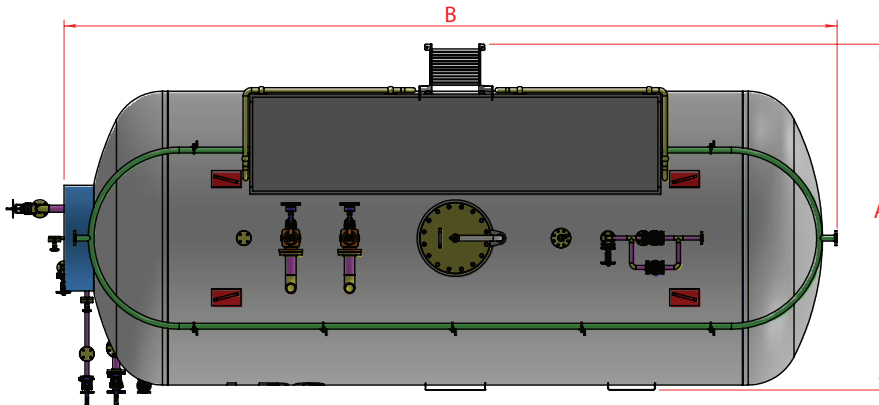
TECHNICAL DRAWING



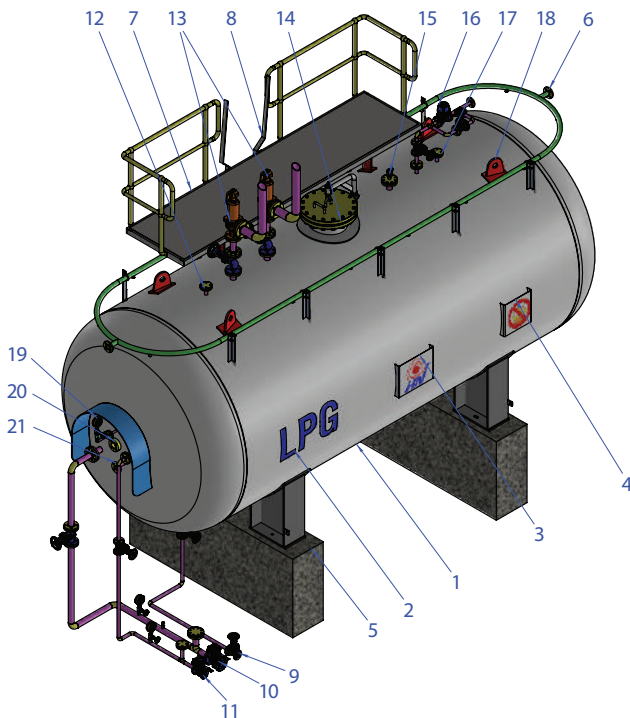
ELEVATION VIEW



LEFT VIEW



TOP VIEW



ANNOTATION:

1. Pressure vessel
2. Gas icon
3. Hong Nhut nameplate
4. Flammable icon
5. Plinth
6. Fire water spray system
7. Access platform
8. Ladder
9. Blowdown valve
10. Vapour gas inlet valve
11. Gas liquid inlet valve
12. Stand by
13. Safety valve
14. Inspection opening
15. RTD
16. Gas leak detector
17. Stand by
18. Lifting lug
19. Pressure gauge
20. Float level gauge
21. Stand by
22. Gas outlet

CONTACT US

Address: 150C, Ho Hoc Lam Street, An Lac Ward, Ho Chi Minh City, Viet Nam

Email: info@hongnhutco.com

Tel: +84 9 1313 6592

Website: www.hongnhut.com